

Control Devices

Radio Remote Control – Air Series

Pendant Control – HY Series



Control Devices:
Compact, Ergonomic, Safe

Pendant Control – HY Series

Podem's pendant controls cover wide field of light and medium duty control applications. They are very reliable, with ergonomic compact design and easy for handling and operation.

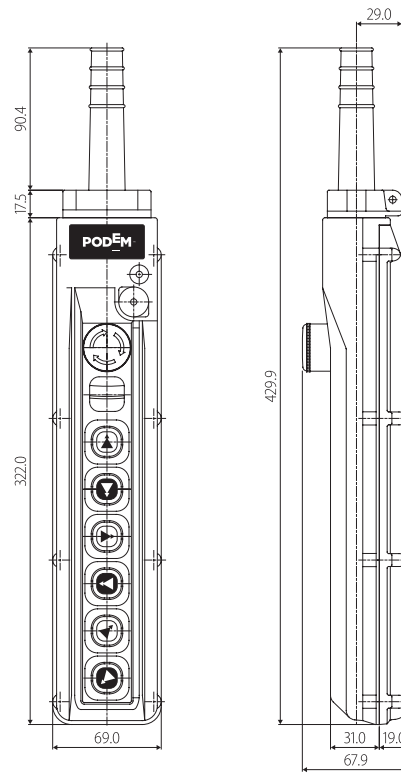
Application:

Cranes, hoists, power lifts of truck, electric lift and other moving equipments.

Advantages:

- Excellent price-quality level.
- Various push buttons pendant models (from 2 to 6 buttons plus optional accessories).
- Made of the ABS copolymer with an excellent mechanical intensity and electrical features.
- Light weight.
- Standard Emergency switch for cut OFF the operation power.
- Durable contact units, which provides to select frequently and reliably the controlling load. Two position contact unit has mechanical lock-up feature for additional safety.

HY-1026 SBBB



Design

Model Range – **HY-1024 SBB** / **HY-1026 SBBB** / **HY-1026 SBBB-L** / **HY-1029 SBBB**

HY Series

Wire protector.
For the water-proof packing and wire protection.

Bushing holder (internal).
Designed to be applied disregarding the size of wire.

Emergency button Cut OFF the power in an emergency situation. Standard application for the crane design. Latch key available.

Buttons according to the model of the pendant. Single and double stage contact system. Mechanical interlock for safety reason. Arrows (single and double) marking for each direction.

Rated current: 6 A 250 VAC (10 A 250 V AC)
Insulation resistance: 100 MΩ (500 V DC)
Dielectric strength: 2000 V AC
Conformity to standards: EN 60204-1, EN 60947-1, EN 60947-5-1, EN 60529, EN 418
Degree of protection: IP66
Buttons mechanical life: 3 million operations

Body: Compact and ergonomic size. Operational button number (from 2 to 10 inserts).

Blind hole for small signal light and START switch.

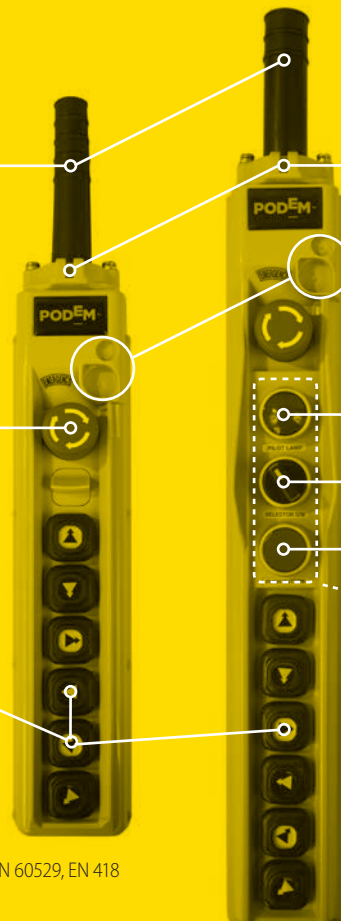
Push button.

Selector key.

INDICATOR light.

Switch optional.

• Hanger plate in each pendant set (Back side).



Radio Remote Control – Air Series

Series Air 8 is a reliable model with compact-size, ergonomic handsets, safety functions and easy installation.

Application:

Cranes, hoists, power lifts of truck, electric lift and other moving equipments.

Advantages:

- Easy and safe replacement of the transmitter thanks to ID chip on socket – **NEW!**
- Automatic search for the working frequency.
- Li-ion battery: no memory effect, no ageing, long autonomy.
- Extremely light but robust transmitter and increasing resistance to dirt.
- ID internal tx memory – **NEW!**
- Use while charging – **NEW!**
- STOP function complying with EN ISO 13849-1.
- PIN start up: prevents start up from unauthorized people.
- Multi-function pushbutton (latching, momentary, switch 1, 1+2, 2, 1/2).

Air 8



Receiver



Design

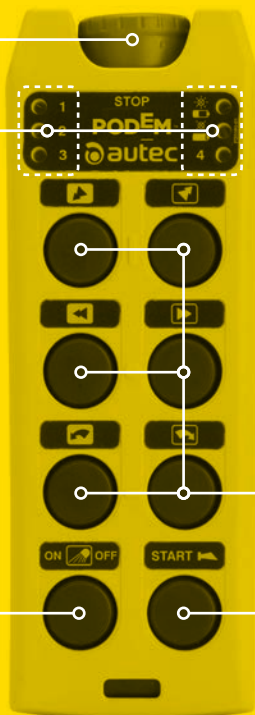
Model Range – **Air 4** / **Air 6** / **Air 8**

Air Series

Emergency button

LED indicators

Function button



Transmitter

The receiving units are easy to install in many applications:

- Extended power supply range is supported, with all supply values managed with a single input
- Terminals and terminal blocks are easy to install, to facilitate wiring operations
- Functionalities of all relays can be programmed through software

Buttons according the model of RRC

Start button

Cable gland for power and signal cable



Receiver

Mounting holes



Air Handheld Kit

Charger Plug

Charging system with quick connection accessorized with power bank to get extra energy when used. Available with USB.

Ultra Soft Cover

Ultra-soft cover that guarantees the best ergonomic situation, improves the feel and enhances touch sensitivity of the buttons.



Nest

Fixed wall mount system for storing transmitter unit when not in use.

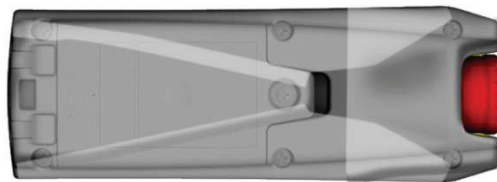
Shoulder Strap

For better portability of the handheld.



Battery Charging

New battery charging with USB input on the bottom.



Air Handheld Kit includes: Transmitting Unit, Receiving Unit, Charger Plug, Nest, Battery Charging, Air Series User Manuals CD

Technical Features

Frequency band	433.05–434.79 MHz (64 channels) Optional 915–928 MHz (256 channels)
Typical working range	75–100 m
Safety category for the Stop protection (EN ISO 13849-1)	PL d
Autonomy with fully charged battery (continuous use at 20 °C)	40 h
Protection degree	IP 65
Temperature range (Use) / (Storage)	
Transmitter	(–20 °C +55 °C) / (–40 °C +70 °C)
Receiver	(–20 °C +70 °C) / (–40 °C +70 °C)
Receiving unit power supply range	40–264 V AC / 9–30 V DC
Number of On–Off commands / Contact rated current	Up to 12 + Start and Stop / 6 A (250 V AC)

Podemcrane AD

1 General Nikolov St.
5300 Gabrovo, Bulgaria
t +359 66 801 375
f +359 66 801 390
sales@podem.bg
podem.bg

